

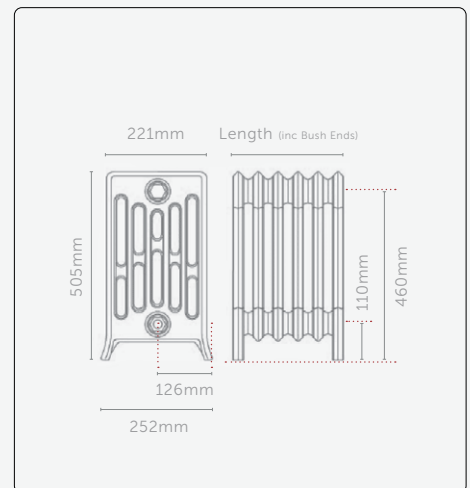
# Neo Georgian

“Simplicity is the ultimate sophistication”, Leonardo Da Vinci”. The stylish but straightforward Neo Georgian column cast iron radiator echoes back to the era of the early 1900s. The classic clean lines of this elegant design mean that it is well suited for either the modern or period home setting. With options of 2, 4 and even 6 column depths, the heat output per section is substantial. With its clean and elegant design, The Neo Georgian column cast iron radiator is a popular choice for homes that were built during the Arts and Crafts era, which influenced Britain until the 1930s.

**COLUMNS**      **HEIGHT** (Please select your required height to view heat output and specifications)

**2**   **4**   **6**      **505**   660   960

CODE/ SECTIONS	LENGTH	OUTPUT				WEIGHT (KG)	WATER CONTENT (LTRs)
		Dt60		Dt50			
		BTUs	WATTS	BTUs	WATTS		
GEO6-505-03	208	1252	367	988	290	25	3.60
GEO6-505-04	269	1669	489	1317	386	33	4.80
GEO6-505-05	330	2086	611	1646	483	42	6.00
GEO6-505-06	391	2503	734	1976	579	50	7.20
GEO6-505-07	452	2920	856	2305	676	58	8.40
GEO6-505-08	512	3337	978	2634	772	67	9.60
GEO6-505-09	573	3755	1100	2963	869	75	10.80
GEO6-505-10	634	4172	1223	3293	965	84	12.00
GEO6-505-11	695	4589	1345	3622	1062	92	13.20
GEO6-505-12	756	5006	1467	3951	1158	100	14.40
GEO6-505-13	816	5423	1589	4280	1255	109	15.60
GEO6-505-14	877	5840	1712	4610	1351	117	16.80
GEO6-505-15	938	6258	1834	4939	1448	125	18.00
GEO6-505-16	999	6675	1956	5268	1544	134	19.20
GEO6-505-17	1060	7092	2079	5597	1641	142	20.40
GEO6-505-18	1120	7509	2201	5927	1737	150	21.60
GEO6-505-19	1181	7926	2323	6256	1834	159	22.80
GEO6-505-20	1242	8343	2445	6585	1930	167	24.00
GEO6-505-21	1303	8761	2568	6914	2027	175	25.20
GEO6-505-22	1364	9178	2690	7244	2123	184	26.40
GEO6-505-23	1424	9595	2812	7573	2220	192	27.60
GEO6-505-24	1485	10012	2934	7902	2316	200	28.80
GEO6-505-25	1546	10429	3057	8231	2413	209	30.00
GEO6-505-26	1607	10846	3179	8561	2509	217	31.20
GEO6-505-27	1668	11264	3301	8890	2606	225	32.40
GEO6-505-28	1728	11681	3423	9219	2702	234	33.60
GEO6-505-29	1789	12098	3546	9548	2799	242	34.80
GEO6-505-30	1850	12515	3668	9878	2895	251	36.00
GEO6-505-31	1911	12932	3790	10207	2992	259	37.20
GEO6-505-32	1972	13349	3912	10536	3088	267	38.40
GEO6-505-33	2032	13767	4035	10866	3185	276	39.60
GEO6-505-34	2093	14184	4157	11195	3281	284	40.80
GEO6-505-35	2154	14601	4279	11524	3378	292	42.00
GEO6-505-36	2215	15018	4402	11853	3474	301	43.20
GEO6-505-37	2276	15435	4524	12183	3571	309	44.40
GEO6-505-38	2336	15852	4646	12512	3667	317	45.60
GEO6-505-39	2397	16270	4768	12841	3764	326	46.80
GEO6-505-40	2458	16687	4891	13170	3860	334	48.00



01205 280354

sales@paladinradiators.com

[www.paladinradiators.com](http://www.paladinradiators.com)

Paladin Radiators, Langrick Road,  
New York, Lincolnshire LN4 4XH



Maximum test pressure = 7.8 bar | Maximum working pressure = 6.0 bar